

TOWER CLOCK MOVEMENT 2M

2M tower clock movements are developed for outdoor dials from 0,5m to 2m diameter with non-protected hands. One clock movement is mounted for each dial. The shaft length is sized according to the wall thickness.

GENERAL FEATURES

- ✓ Clock movement for dials from 0,5m to 2m diameter.
- ✓ Shaft length : dial fixing 45 to 80 mm and long shaft 200 to 1400mm.
- ✓ Power supply : 230VAC +/-10% 50Hz.
- ✓ Consumption : 30mA.
- ✓ Wind speed withstanding up to 130km/h.
- ✓ Protection index : IP53.
- ✓ Rust proof material construction : zinc coated steel casing, stainless steel shafts on self-lubricated bronze bearings.
- ✓ Maintenance free.



Mechanical clock movement



- ✓ Mechanical control through an external system 1 revolution per hour.
- ✓ Manual adjustment of the hands by disengaging of the motor.
- ✓ Supplied with expansion joint.
- ✓ Operating temperature : -40°C to +60°C.

Electrical clock movement

- ✓ 230V minute impulse, 3 wires, DID2 slave movement.
- ✓ Requires a master clock that deliver DID2 impulses (BTE, BTE6, Mic Delta...).
- ✓ Easy adjustment of hand position from inside the building by clutch.
- ✓ Operating temperature : -40°C to +60°C.



Intelligent electrical clock movement

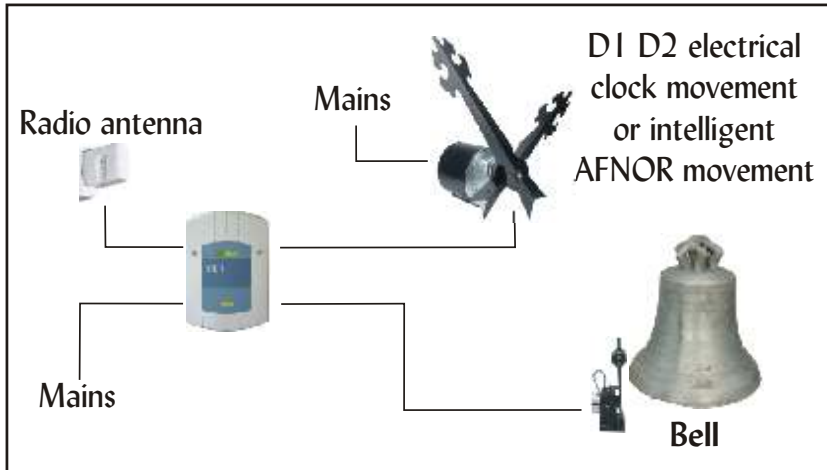


- ✓ Hand position controlled via sensors to guarantee time accuracy.
- ✓ 3 versions available :
 - AFNOR coded time signal emitted by a master clock.
 - FI or DCF radio synchronisation.
 - GPS synchronisation.
- ✓ Automatic time setting clock.
- ✓ Operating temperature : -20°C to +50°C.

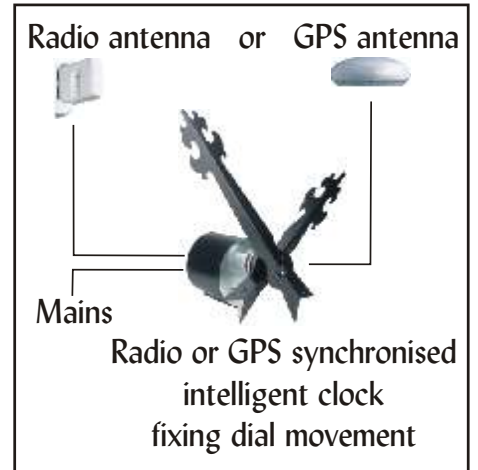


Installation diagram

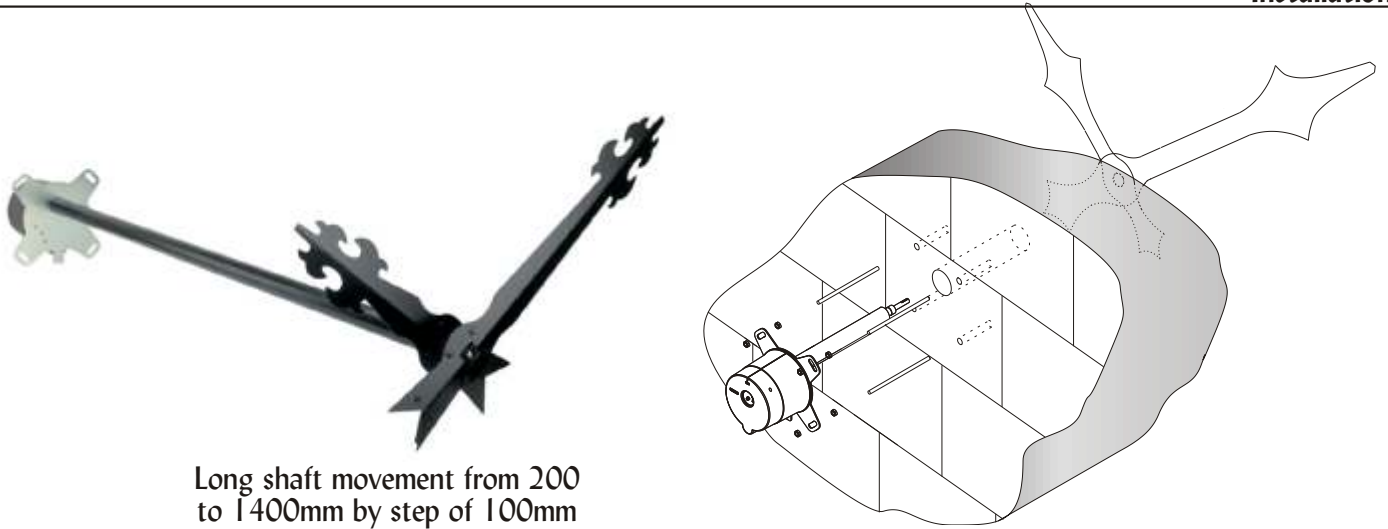
Synchronisation by master clock



Independent or GPS synchronised



Installation



Dimensions in mm

